



PROJECT: _____
 LOCATION: _____
 ITEM#: _____
 QUANTITY: _____

COMPETITOR SERIES®



C-SPS-1-18



C-SPS-2-18

STOCK POT STOVES

- Heavy duty cast iron removable trivets
- 40,000 BTU manually controlled burners
- Bottom extra storage area
- Beautiful ergonomic design and easy to clean
- High polished, stainless steel exterior and chrome temperature knobs
- (4) adjustable stainless steel feet
- Comes standard as natural gas with L.P orifice kit for in-field conversion
- Migali Industries® Protection Plan: 1 Year Parts & Labor Warranty

MODEL	BURNERS	TOTAL BTU NATURAL GAS / LP	PER BTU NATURAL GAS / LP	IN TAKE TUBE PRESSURE (W.C.) NATURAL GAS / LP	NOZZLE NO. NATURAL GAS / LP	IGNITION	VALVE TYPE	TOP PLATE SIZE W X D	EXTERIOR DIMENSIONS W X D X H	PACKAGING DIMENSIONS W X D X H	WEIGHT	PACKAGED WEIGHT
C-SPS-1-18	2	80,000	40,000	4 /10	#32 / #49	Manual	Pilot Light	(1) 17.8" x 20.9"	18 x 20.9 x 22.8	20.9 x 24.8 x 25	106 lbs.	119 lbs.
C-SPS-2-18	4	160,000	40,000	4 /10	#32 / #49	Manual	Pilot Light	(2) 17.8" x 20.9"	18 x 41.7 x 22.8	20.9 x 45.7 x 25	202 lbs.	222 lbs.

*MIGALI RESERVES THE RIGHT TO CHANGE SPECIFICATIONS WITHOUT NOTICE

Gas Connection: 3/4" NPT on the right
 Clearance for combustible work area: 6" rear & 15" sides
 Altitudes over 2,000 feet may need high altitude orifice adjustments to deliver BTU output listed

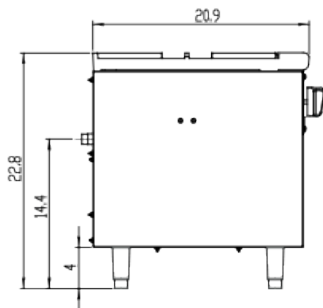
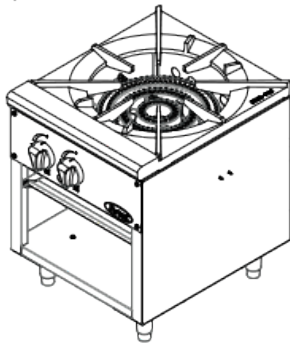
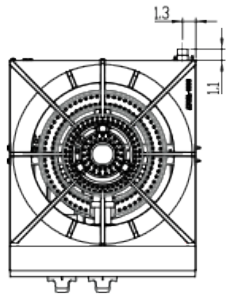
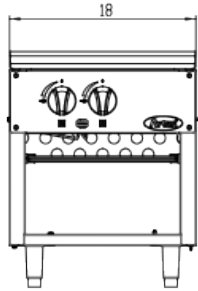


TOLL FREE: 800.852.5292
 WEB: www.migali.com

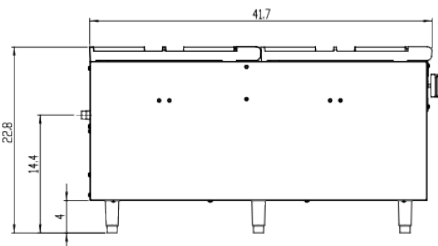
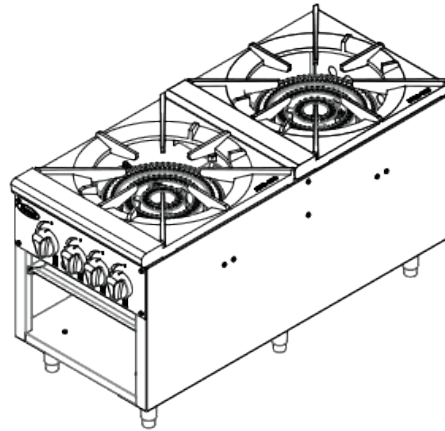
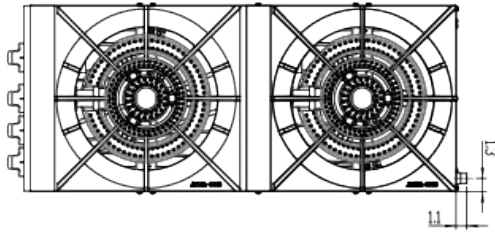
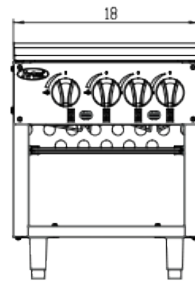


DIMENSIONAL DRAWINGS

C-SPS-1-18



C-SPS-2-18



SIDE VIEW



MIGALI® REMAINS AN AMERICAN FAMILY COMPANY SINCE 1955